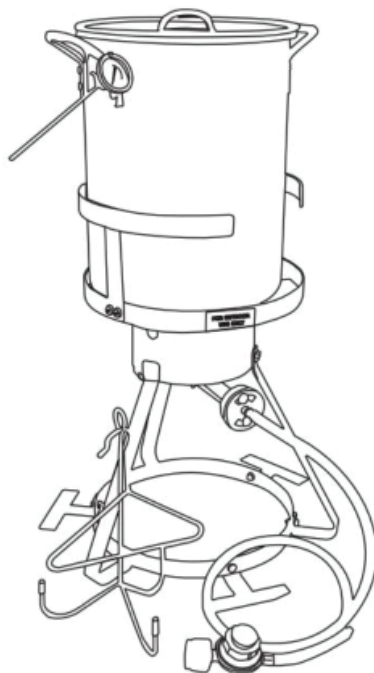


cook
prep
eat

30QT-TURKEY FRYER
AND STOCK POT KIT



**READ MANUAL
BEFORE USE**

TURKEY FRYER AND STOCK POT KIT

OWNER'S MANUAL

**SAFETY ALERTS, ASSEMBLY & OPERATING INSTRUCTIONS
GENERAL MAINTENANCE & STORAGE**

**KEEP THIS MANUAL FOR FUTURE REFERENCE
NOT FOR COMMERCIAL USE**

This Instruction Manual contains important information necessary for the proper assembly and safe use of the appliance. You must carefully read and follow all warnings and instructions before assembling and using the appliance. Follow all warnings and instructions when using the appliance.

**This manual is for CPE products only. If you are using another manufacturer's product, refer to the manual supplied with that product.
Only use CPE approved replacement parts and accessories with this appliance.**

SAFETY



Not following these instructions will most certainly result in fire or explosion which will cause property damage, personal injury, or death.



Hazard or unsafe practices could result in severe property damages, personal injury, or death.



Hazard or unsafe practices possibly resulting in minor property damages, personal injury, or death.



IF YOU SMELL GAS:

- **Shut off gas to the appliance.**
- **Extinguish any open flame.**
- **If odor continues, keep away from the appliance and immediately call your fire department.**

Failure to follow these instructions could result in fire or explosion which could cause property damage, personal injury or death.



- **Never operate this appliance unattended.**
- **Never operate this appliance within 3 m/ 10 ft of any structure, combustible material or other gas cylinder.**
- **Never operate this appliance within 7.5 m/ 25 ft of any flammable liquid.**
- **Do not fill cooking vessel beyond maximum fill line.**
- **Never allow oil or grease to get hotter than 200°C/400°F. If temperature exceeds 200°C/400°F or if oil begins to smoke, immediately turn the burner or gas supply OFF.**
- **If the temperature exceeds 200°C/400°F or if oil begins to smoke, immediately turn the burner or gas supply OFF and wait for the temperature to decrease to less than 175°C/350°F before relighting burner. If there is a lid (cover), do not remove the lid.**
- **The appliance and heated liquids will remain HOT long after the cooking process is complete. Never touch any part of the appliance until it has cooled to 45°C/ 115°F or less.**
- **If a fire should occur, keep away from the appliance and immediately call your fire department. Do not attempt to extinguish an oil or a grease fire with water.**
- **This appliance is not intended for and should never be used as a heater.**
- **Do not place an empty cooking vessel on the appliance while in operation.**
- **Never use glassware, plastic, or ceramic cookware with this appliance.**
- **Keep the fuel supply hose away from any heated surface(s).**
- **Never use a cooking vessel larger than 40.6 cm/ 16-in diameter, or more than 62 Qt in volume.**
- **If a thermometer is used with this appliance, it must reach 75% of the cooking vessel depth.**

Failure to follow these instructions could result in fire or explosion which could cause property damage, personal injury, or death!

WARNING

- **Sober adult operation ONLY!** The use of alcohol, prescription or non-prescription drugs may impair ability to properly assemble or safely operate appliance.
- **Do not use appliance for anything other than its intended purpose.**
- **This appliance is not for frying turkeys.**
- **This appliance is for OUTDOOR USE ONLY, and shall not be used in a building, garage or any other enclosed area.**
- **Do not use appliance on or under any apartment or condominium balcony or deck. For more details, see instructions for placement of cooker in this manual.**
- **This appliance is not intended for use in or on a boat or recreational vehicle.**
- **Do not attempt to light this appliance without first following the instructions in this manual for proper assembly, placement, and testing.**
- **Do not stand with head, body or arms over the appliance when lighting. Loose hair and clothing can catch fire.**
- **In sunlight or other bright light, the flame may not be visible. Always use caution around an open flame.**
- **The hose and regulator assembly supplied with this appliance must be used.**
- **Always use a properly functioning thermometer to know the temperature of the cooking liquid.**
- **Do not move the appliance while in use.**
- **Avoid bumping of or impact with the appliance to prevent spillage or splashing of hot cooking liquid.**
- **Keep children and pets away from the cooking area at all times.**
- **Introduction of water or ice from any source into the oil/grease may cause overflow and severe burns from hot oil and water splatter. When frying with oil/grease, all food products MUST be completely thawed and towel dried before being immersed in the fryer.**
- **Use caution when placing food in a cooking vessel while the appliance is in operation. Never drop food or accessories into hot cooking liquid. Lower food and accessories S-L-O-W-L-Y into the cooking liquid in order to prevent splashing or overflow.**
- **Always take care when removing food to avoid burns from steam or hot cooking liquids.**
- **Always have a Type BC or ABC fire extinguisher readily accessible during operation.**
- **In the event of an oil or grease fire do not attempt to extinguish with water. Immediately call the fire department. A type BC or ABC fire extinguisher may, in some circumstances contain a fire.**
- **In the event of rain, snow, hail, or sleet while cooking with oil or grease, cover the cooking vessel immediately and turn off the appliance burner(s) and gas supply. Do not attempt to move the appliance or cooking vessel.**
- **The appliance will be HOT after being operated. DO NOT TOUCH the frame or cooking vessel when re-lighting or moving the burner before it has cooled down.**

REMEMBER: THINK SAFETY AND USE COMMON SENSE!

Restrict the use of this appliance to adults who can read, understand and follow the warnings and instructions found in this manual.

ABOUT THIS PRODUCT

This gas appliance has greater heat output than traditional kitchen stoves. It can be referred to as a *burner* or *appliance* in this manual. The appliance is designed to work with a cooking vessel (pot). The appliance is only designed to work with the hose and regulator supplied with this product. This appliance is intended for cooking food (fry, steam, boil, or brew). All other applications could void the warranty or create an unsafe situation.

GENERAL OPERATING

- Always inspect the appliance and its components before every use as described in this manual:
 - A. Ensure appliance is properly assembled and connected to the LP cylinder
 - B. Inspect hose and tank for evidence of abrasion, wear, cuts or leaks
 - C. Confirm that nothing is obstructing the burner
 - D. Perform Gas Leak Test before lighting

NOTE: If any part or component of this appliance appears damaged or inaccurate, DO NOT USE.

Contact Creative Home and Kitchen for a replacement part.

- Set up the cooking area in a safe location as outlined in this manual
- Follow Lighting/Re-Lighting Instructions in this manual
- Use these instructions to determine the maximum fill level when using a vessel without a maximum fill line:
 - A. Place the food product on the holder.
 - B. Place the food product and holder into the empty vessel.
 - C. Fill vessel with water just until the food product is completely submerged.

NOTE: There must be a minimum of 4 inches, do not fill above max water fill line.

- D. Remove the food product from the vessel and either mark the water level on the side of the vessel or measure the amount of water in the vessel.
 - E. Remove the water and completely dry the vessel and the food product.
 - F. This is the amount of liquid the vessel is to be filled with to cook the food product.
- This burner will be hot during and after use; always wear protective clothing when operating. Use insulated mitts or gloves for protection from hot surfaces or splatter from cooking liquids. Wear close-toed shoes.
 - Carefully monitor all activity around cooker to avoid burns or other injuries.
 - Control the cooker flame by making adjustments to the valve and air shutter.
 - If cooking requires the use of a thermometer, follow instructions included with the thermometer for proper use.
 - Use caution when near cooker as splattered liquid may have created a slick surface.
 - When adding or removing food from the vessel, care should be taken to avoid burns from hot cooking liquids.
 - After cooking, continue to monitor the area. Never touch, move, or store the appliance or cooking liquids before they have cooled to 45°C/115°F or less. **NOTE: Cool down periods will vary with environment.**
 - When cooking is completed, turn off gas and follow the Care & Maintenance Instructions.



NEVER LEAVE UNATTENDED



OUTDOOR USE ONLY



NEVER USE UNDER FLAMMABLE OVERHANG



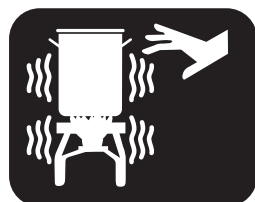
NEVER USE ON FLAMMABLE SURFACES



KEEP FIRE EXTINGUISHER NEARBY



NEVER LEAN OVER BURNER



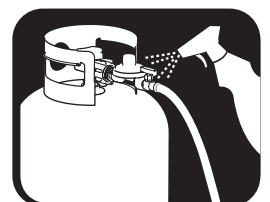
HOT DURING AND AFTER USE!



TRIP HAZARD WATCH YOUR STEP



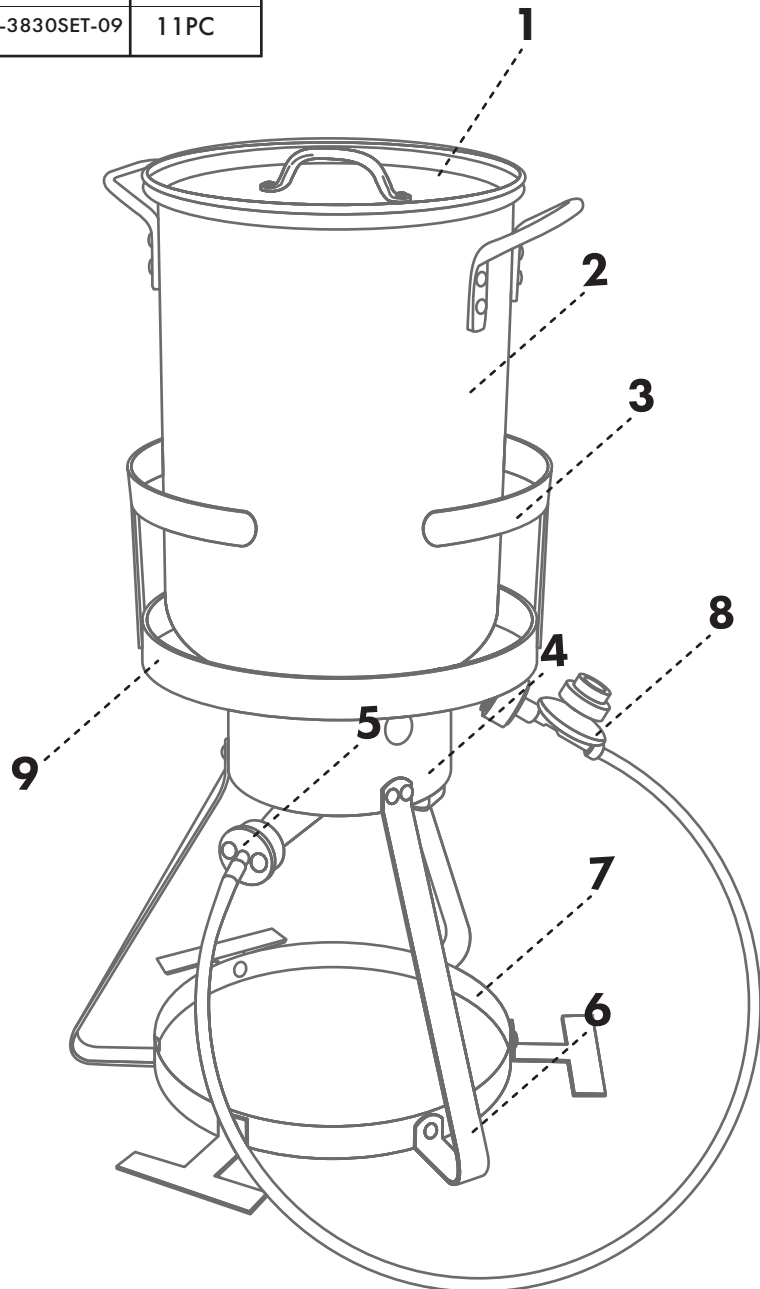
KEEP CHILDREN AND PETS AWAY



ALWAYS PERFORM GAS LEAK TEST

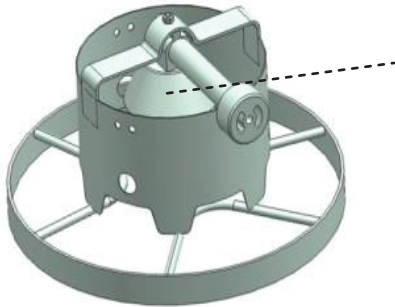
PART LIST

No.	Assembly Name	Product No.	QTY
1	Lid	FH-3830SET-01	1PC
2	Pot	FH-3830SET-02	1PC
3	Guard Ring	FH-3830SET-03	1PC
4	Burner Body	FH-3830SET-04	1PC
5	Burner	FH-3830SET-05	1PC
6	Feet	FH-3830SET-06	3PC
7	Bottom Rack	FH-3830SET-07	1PC
8	Hose and Regulator	FH-3830SET-08	1PC
9	Heat Shield	FH-3830SET-09	11PC



ASSEMBLY INSTRUCTION

1. Use included wrench to remove nut from bottom of burner assembly. Install burner and heat shield as shown.



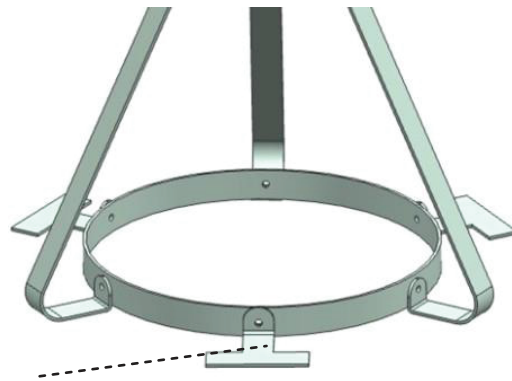
2. Attach support Feet to Bottom Rack as shown. Tighten securely using including wrench and screwdriver.



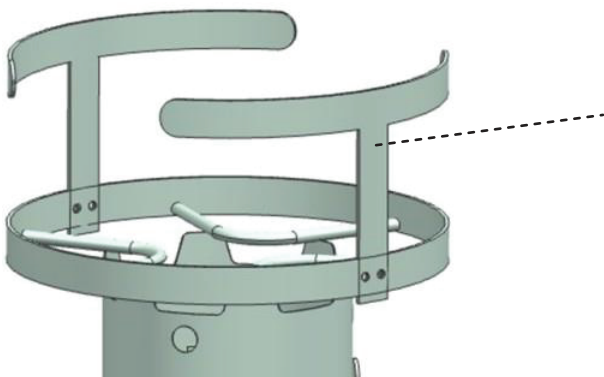
3. Turn unit side up. Attach support Feet to lower portion base on Burner Body.



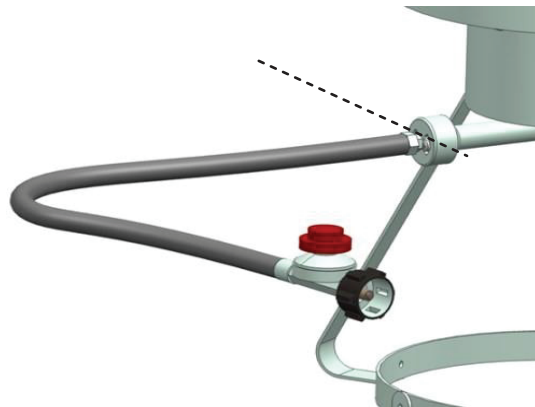
4. Attach T Shape Feet to Bottom Rack as shown.



5. Attach Guard Ring to Burner Body as shown.



6. Install regulator over gas burner intake as shown.



ASSEMBLY INSTRUCTION

LIQUID PROPANE (LP) CYLINDER

This appliance is designed to only operate using Liquid Propane (LP) gas in a self-contained gas supply system (tank). Please follow these instructions for proper specifications and operation.



DANGER



CARBON MONOXIDE HAZARD

This appliance can produce Carbon Monoxide, an odorless and poisonous gas. Never operate this appliance in a building or confined area where ventilation may be restricted. Using it in an enclosed space can kill you.

- Read and follow all warnings and instructions on the LP cylinder.
- Specifications (These features and specifications MUST be present):
 - A** 9.1 Kg/20 lbs capacity; 31.75cm/12.5-in diameter by 45.72cm/18-in tall
 - B** Type-1 gas cylinder valve outlet to accommodate the hose and regulator supplied with this appliance. The Type-1 valve must prevent gas flow until a positive seal is obtained.
 - C** Over-Filling Protection Device (OPD) - indicated by a trilobular hand-wheel.
 - D** Collar to protect the cylinder valve. Required of any cylinder whose capacity is in excess of 1 Kg/2.2 lbs.
 - E** Safety Relief Valve
 - F** Protective cap
 - G** Cylinder must be arranged for vapor withdrawal (*not shown*).

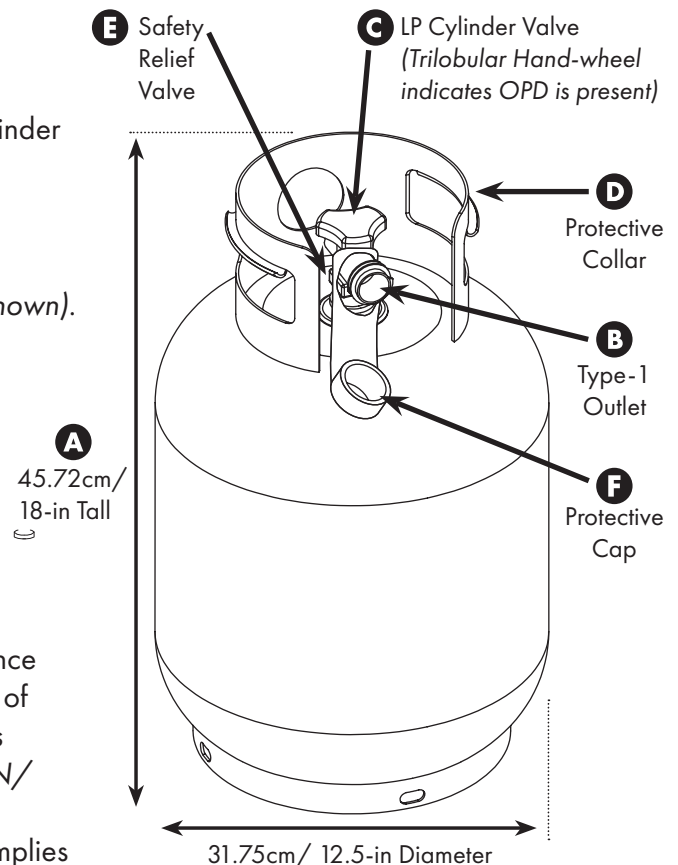


CAUTION



Place dust cap on cylinder valve outlet whenever the cylinder is not in use. Only install the type of dust cap on the cylinder valve outlet that is provided with the cylinder valve. Other types of caps or plugs may result in leakage of propane.

- The LP cylinder must be constructed and marked in accordance with the specifications for LP gas cylinders, U.S. Department of Transportation (DOT) or the *Standard for Cylinders, Spheres and Tubes for the Transportation of Dangerous Goods, CAN/CSA-B339*.
- If you exchange the LP cylinder, make sure the new tank complies with all the specifications listed here.



DANGER



A. Never store a spare LP gas cylinder under or near this appliance.

B. Never fill the cylinder beyond 80 percent full

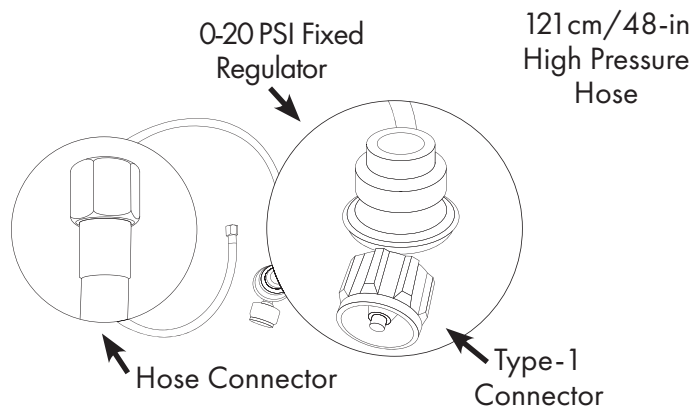
If the information in (A) and (B) are not followed exactly, a fire causing death or serious injury may occur.

WARNING

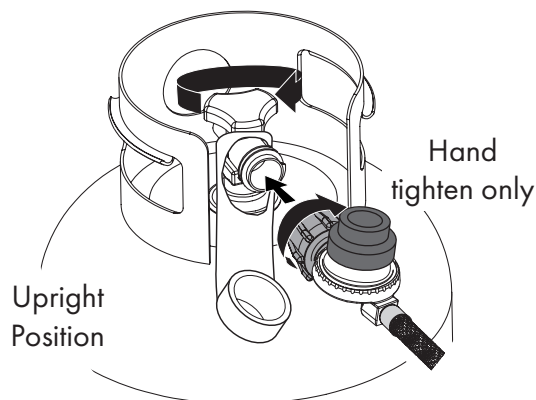
- **Do not attempt to move, alter, or disconnect the LP cylinder while the appliance is in use.**
- **Always secure the LP cylinder in an upright position.**
- **Always disconnect to move the appliance and/or LP cylinder.**
- **If the appliance is not in use, the gas must be turned off at the supply LP cylinder.**
- **LP cylinders must be stored outdoors out of the reach of children, and shall not be stored in a building, garage or any other enclosed area.**
- **Allow only qualified LP gas dealers to properly fill or repair your LP cylinder.**
- **Always use the protective cap when not connected to the hose and regulator. Only use the cap supplied with the LP cylinder; any other type may result in leakage of propane.**
- **An over-filled or improperly stored cylinder could cause the safety relief valve to fail.**
- **If you see, smell, or hear gas escaping, immediately get away from the cooker and LP cylinder, and call your local fire department.**
- **Failure to follow these instructions could result in fire or explosion which could cause property damage, personal injury, or death!**
- **The hose and regulator assembly supplied with this appliance must be used.**
- **Do not attempt to disassemble, alter, or repair any part of the hose and regulator assembly. Approved replacement parts can be obtained from Creative Home and Kitchen.**

HOSE & REGULATOR

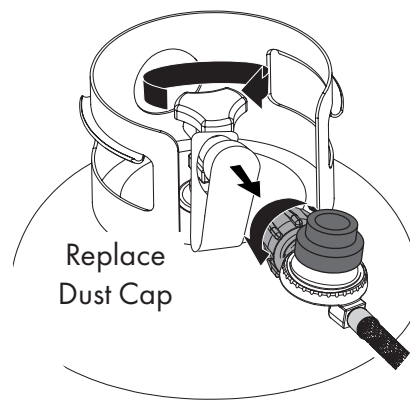
The Hose Valve Regulator (HVR) supplied with this appliance is an independently CSA certified product. It is designed to connect the appliance to a 9.1 Kg/20 lbs LP Cylinder. Read and follow all instructions and warnings on the supply hose safety tags. If there is evidence of abrasion, wear, cuts or leaks, the HVR must be replaced prior to the appliance being put into operation.



To CONNECT Hose Valve Regulator to the LP Cylinder:



To DISCONNECT Hose Valve Regulator to the LP Cylinder:



CAUTION

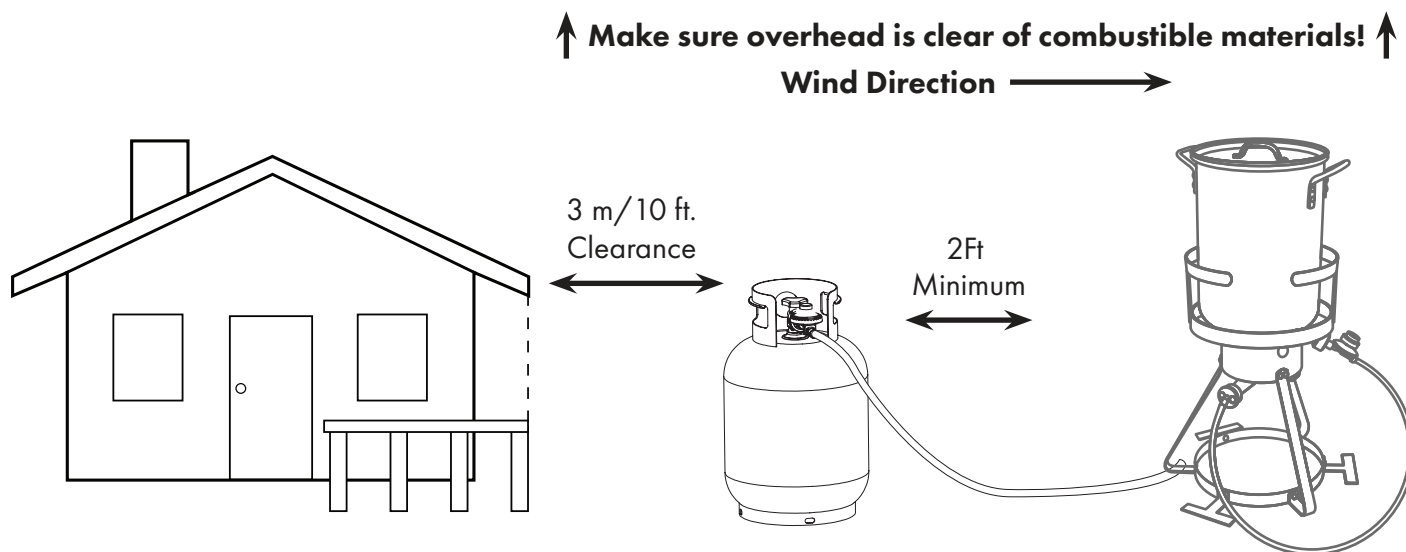
Always confirm both LP Cylinder Valve and Brass Valve are turned to the off (closed) positions before connecting or disconnecting the HVR.

PLACEMENT OF COOKER

! DANGER !

- ***This burner is portable and should not be installed into cabinetry or any other enclosed casing. Any placement or installation of the appliance must conform with local codes or, in the absence of local codes, with the National Fuel Gas Code, ANSI Z223.1/NFPA 54, Storage and Handling of Liquefied Petroleum Gases, ANSI/NFPA 58; or Natural Gas and Propane Installation Code, CSA B149.1; Propane Storage and Handling, CSA B149.2.***
- **Keep the cooking area clear and free of any combustible material such as spare LP tanks (full or empty), household chemicals, paint, gasoline and other flammable vapors and liquids.**
- **Never enclose the appliance to block the wind. Either relocate your cooker to a less windy location, or choose not to operate your appliance until the wind has stopped.**

- Choose a safe outdoor space, clear of combustible material to operate your appliance.
- Place the appliance on a level, stable noncombustible surface such as brick, concrete, or dirt.
- Prior to lighting, check wind direction. Place cooker DOWNWIND from the LP cylinder.
- Place LP cylinder at least 2Ft away from the appliance.



! WARNING !

- **Do not walk between the cooker and the propane tank; the connecting hose creates a tripping hazard. Tripping over the hose may cause the supply cylinder to tip.**
- **Do not locate appliance under overhead unprotected combustible construction or tree limbs.**
- **Do not attempt to move the appliance or cooking vessel when cooking.**
- **Do not position cooker on wood, asphalt, or plastic/rubber mat which may burn blister or melt.**

GAS LEAK TEST

When to test for gas leaks:

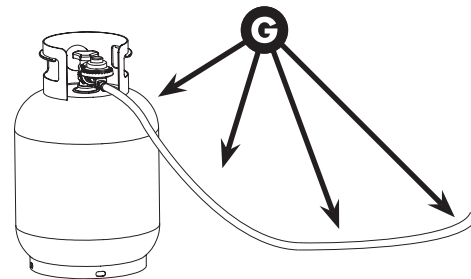
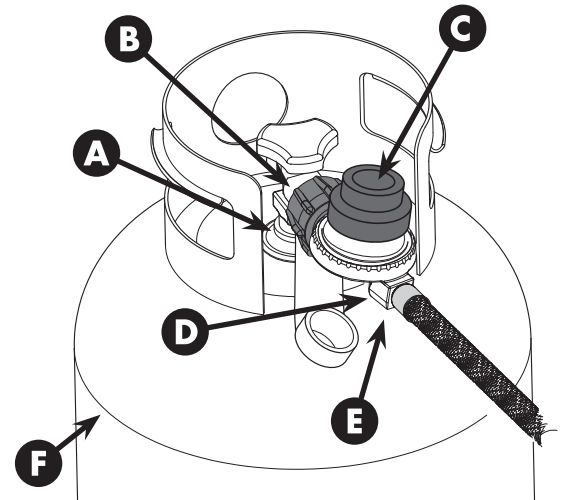
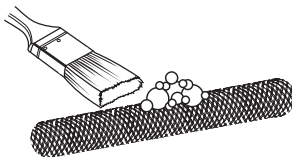
- After assembling your cooker and before lighting for the first time, even if purchased fully assembled.
- Every time the LP gas cylinder is refilled, or if any of the gas components are replaced.
- Any time your cooker has been moved.
- At least once per year or if your cooker has not been used for more than 60 days.

NOTE: The gas leak test must be performed in an area that has adequate lighting in order to see if bubbles are developing. **DO NOT** use a flashlight to check for bubbles.

Performing a Gas Leak Test:

1. Create a mixture of 50% water and 50% liquid dish-washing soap.
2. Turn the LP Cylinder Valve to the off (closed) position. Then turn the Brass Valve to the off (closed) position.
3. To turn on the fuel supply, turn the LP Cylinder Valve one turn in the open direction. Gas will flow through the Regulator and stop at the Brass Valve still turned to the off (closed) position.
4. Using a clean brush, apply the soap water mixture to the following:

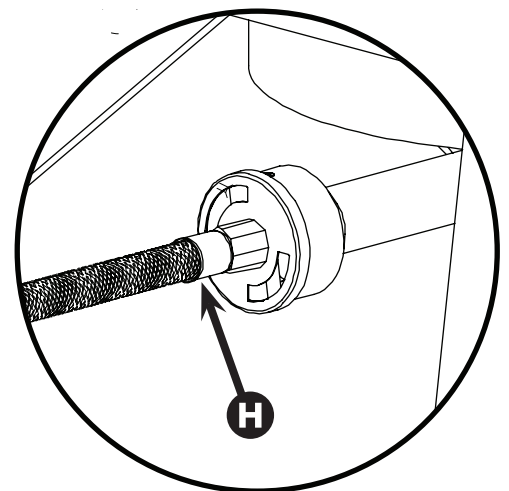
- Ⓐ LP Cylinder to LP Cylinder Valve
- Ⓑ LP Cylinder Valve to Regulator Connection
- Ⓒ All Regulator Housing and Connections
- Ⓓ Regulator to Brass Valve
- Ⓔ Brass Valve connection to Gas Supply Hose
- Ⓕ LP Cylinder Welds
- Ⓖ Full length of Gas Supply Hose
- Ⓗ Gas Supply Hose connection to Burner



5. First, inspect areas **A - F** for growing bubbles.
6. Next, turn on (open) the Brass Valve and permit gas to pass through the hose. Inspect areas **G** and **H**.

NOTE: Do not allow gas to flow more than 5 - 10 seconds. During this step, gas will be flowing out the burner into the surrounding air.

7. Turn the LP Cylinder Valve to the off (closed) position. Then turn the Brass Valve to the off (closed) position.
8. Tighten any leaking connections.
9. Repeat soap water mixture test until no leaks are detected.
10. After you are certain there are no leaks, turn the LP Cylinder Valve to the OFF position. **Wait 5 minutes** for any gas fumes to evacuate before lighting the burner.



⚠ WARNING ⚠

- **If growing soap bubbles persist throughout any portion of the Gas Leak Test, terminate use immediately.**
- **DO NOT use cooker if gas leaks cannot be stopped.**

LIGHTING INSTRUCTIONS

Follow these instructions for safe and proper lighting and re-lighting of the appliance.

⚠ CAUTION ⚠

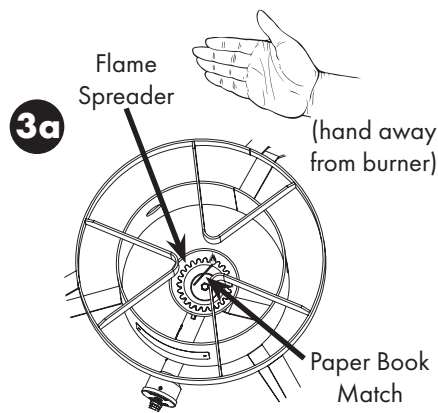
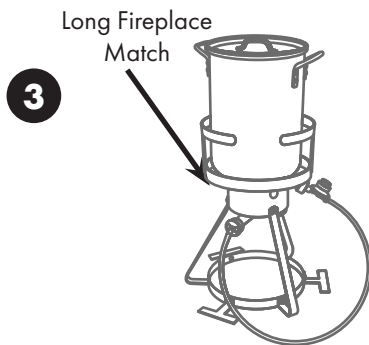
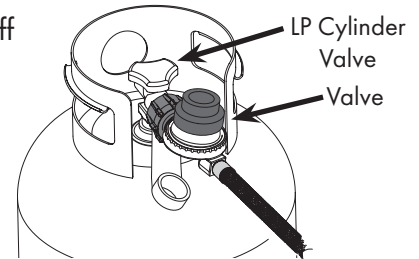
- **The Regulator supplied with this appliance is equipped with a Gas Flow Limiting Device that will greatly restrict the flow of gas if activated by a rapid release of gas. Reference Trouble-Shooting Tips if flame ever appears weak.**
- **If the appliance does not light after 2 or 3 attempts, turn OFF gas supply. Refer to Trouble Shooting Tips and DO NOT attempt to operate the appliance until the problem is resolved.**

⚠ WARNING ⚠

- **Do not light burner at Air Shutter.**
- **Even if the flame is extinguished, the tank and regulator will still allow some gas to release until they are fully CLOSED. You must allow gas to evacuate/dissipate before re-lighting.**

Lighting the appliance:

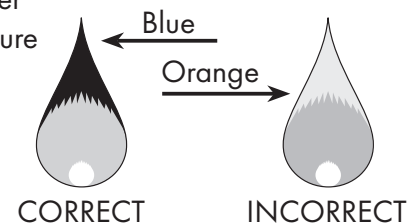
1. Before lighting, completely turn off (close) the LP Cylinder Valve and the on/off regulator should be off, to prevent any gas flow.
2. Turn on (open) the fuel supply by S-L-O-W-L-Y rotating the LP Cylinder Valve one full turn.
3. Position a fireplace match or long lighter directly over the burner, then turn on the regulator. The burner should light in less than 5 seconds.



4. After lighting the burner, visually check the burner and adjust to the optimal burner flame. A blue flame with little or no yellow flame indicates a proper air/gas mixture and provides the best heat. To adjust:

- A. Fully open the LP Cylinder Valve
- B. Turn regulator to desired flame height/intensity
- C. Rotate Air Shutter until mostly blue flame is achieved and the flames burn at all ports without lifting above the burner.

5. If ignition does not occur in 5 seconds, completely turn off (close) the LP Cylinder Valve and the regulator **wait 5 minutes**, and repeat the lighting procedure.
6. If the appliance is accidentally extinguished, completely turn off (close) the LP Cylinder Valve and the regulator **wait 5 minutes to allow gas to evacuate/dissipate**, and repeat Steps 1 thru 4.



MAINTENANCE & CARE

Follow these simple steps to keep your appliance looking good and functioning properly for years.

1. Before each use of the appliance, light the cooker and let it run for 5-7 minutes. This initial fire will burn away the manufacturing oil and residue. It is normal to have smoke or slight odor.
2. Make sure you clean off the cooker after each use and before storing. Wait until the cooker is completely cool, and simply spray off the frame with a water hose to rinse away any residue from any splatter or spill-over. Use a soft cloth if necessary. Allow to fully dry before storing. **NOTE: The next time you use the cooker, it may burn off any remaining residue from a previous spill-over, causing an odor and/or smoke.**
3. Keep the appliance area clear and free from combustible materials, gasoline, and other flammable vapors and liquids.
4. Do not obstruct the flow of combustion and ventilation air.
5. Keep the ventilation opening(s) of the cylinder enclosure free and clear from debris.
6. Always check the burner/venturi tubes for any obstructions such as insects or insect nests in the burner.

To remove burner obstructions:

- A. Use a narrow bottle brush or stiff wire to run up and down the length of the burner tube.
- B. Use a water hose or compressed air to flush out any debris.
- C. If necessary, disassemble the burner by removing the serrated nut and unscrewing the mounting bolt from the center of the burner.

WARNING

- **Check and clean the burner with every use. A clogged tube can lead to a fire beneath the appliance.**

7. Always turn off (close) the gas supply and disconnect the hose and regulator from the LP cylinder to move or store.
8. To avoid damage to the regulator and minimize trip hazards, place regulator on the appliance frame any time the hose is not connected to the LP Cylinder.
9. Store appliance in a dry place. If storing indoors (including a shed or garage), detach the LP cylinder and store the tank outside. For long term storage, cover the burner.
10. Do not store this appliance, or any of its components, in a corrosive environment.
11. Metal discoloration will result from exposure to excessive heat. For hard to clean stains or discoloration of a cooking vessel, apply a non-abrasive cleaner with a clean, damp sponge or cloth. Do not use a steel wool pad or harsh abrasive cleanser as scratching will occur.

TROUBLE-SHOOTING

Still have questions? Contact Creative Home and Kitchen
info@creativehomeandkitchen.com

Symptom	Cause	Possible Solution
Burner will not light	Obstruction in the burner	Inspect burner. Wash out and dry if necessary.
	Part of appliance is damaged	Inspect LP tank, burner, and assembly for damage. Replace any damaged or faulty parts.
Burner lights, but has very small/poor quality (sooty) flame	LP tank has low fuel	Use a tank fill gauge to always know gas level. If gas is too low to operate, refill or exchange tank.
	Gas Flow Limiting Device has activated	Completely turn off (close) the LP Cylinder Valve and the regulator to prevent any gas flow. Wait 30 seconds and repeat steps for lighting.
	Not enough gas flow from tank	Turn up (open) LP Cylinder Valve all the way.
	Poor oxygen/gas mixture	Adjust regulator to obtain optimum blue flame.
Flame has gone out	LP tank has low fuel	Use a tank fill gauge to always know gas level. If gas is too low to operate, refill or exchange tank.
	Too windy	Check wind direction and wait for wind to die down, or move appliance away from windy areas.
Hissing or gurgling sounds coming from appliance	Damaged or leaking hose and regulator assembly	Turn appliance off, and wait for it to cool down. Perform Gas Leak Test to confirm gas leak. Replace any damaged or faulty parts.
	Moisture in the burner	Turn appliance off, and wait for it to cool down. Detach the hose and pour out water.